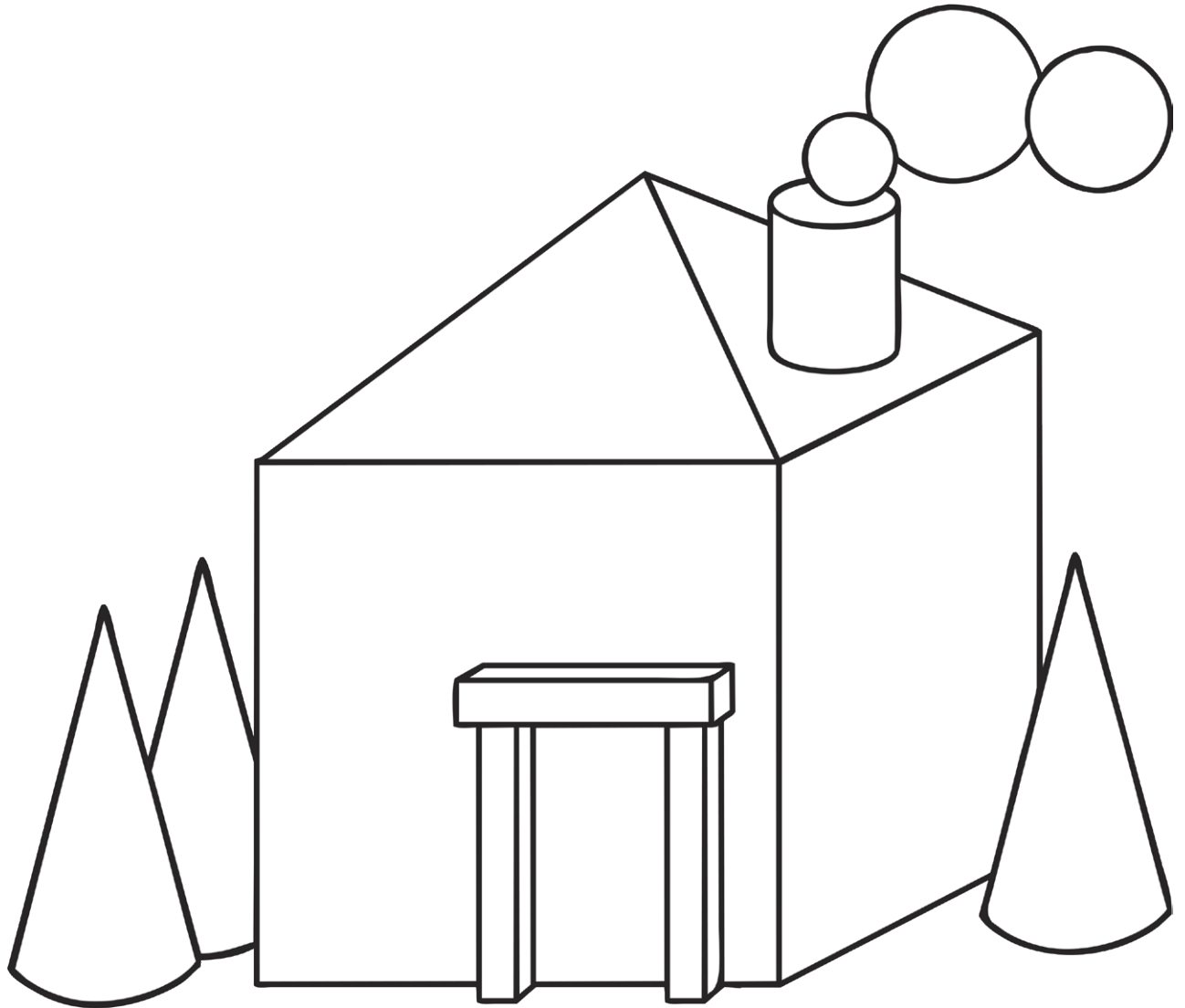


# 3D Shape Colouring

Use the key to colour in the 3D shapes correctly.

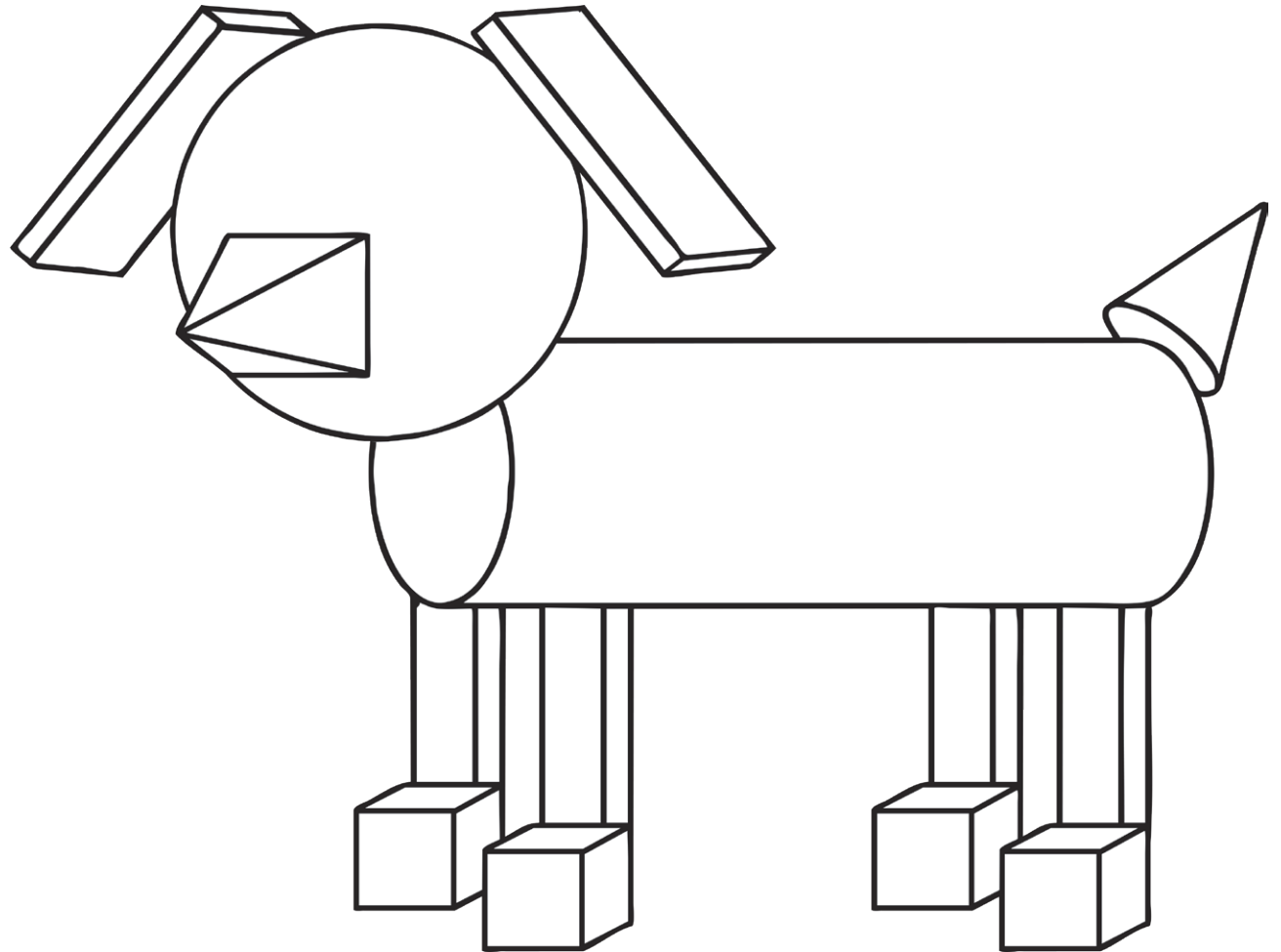
Key		
Clues	Name	Colour
no vertices, one curved surface		yellow
8 vertices, 12 edges the same length, 6 faces		orange
5 faces in total (4 faces are triangles and 1 is a square)		green
one apex, one circular face		red
8 vertices, 12 edges, 6 faces (2 square, 4 rectangular)		purple
no edges, no vertices and one curved surface		blue



# 3D Shape Colouring

Use the key to colour in the 3D shapes correctly.

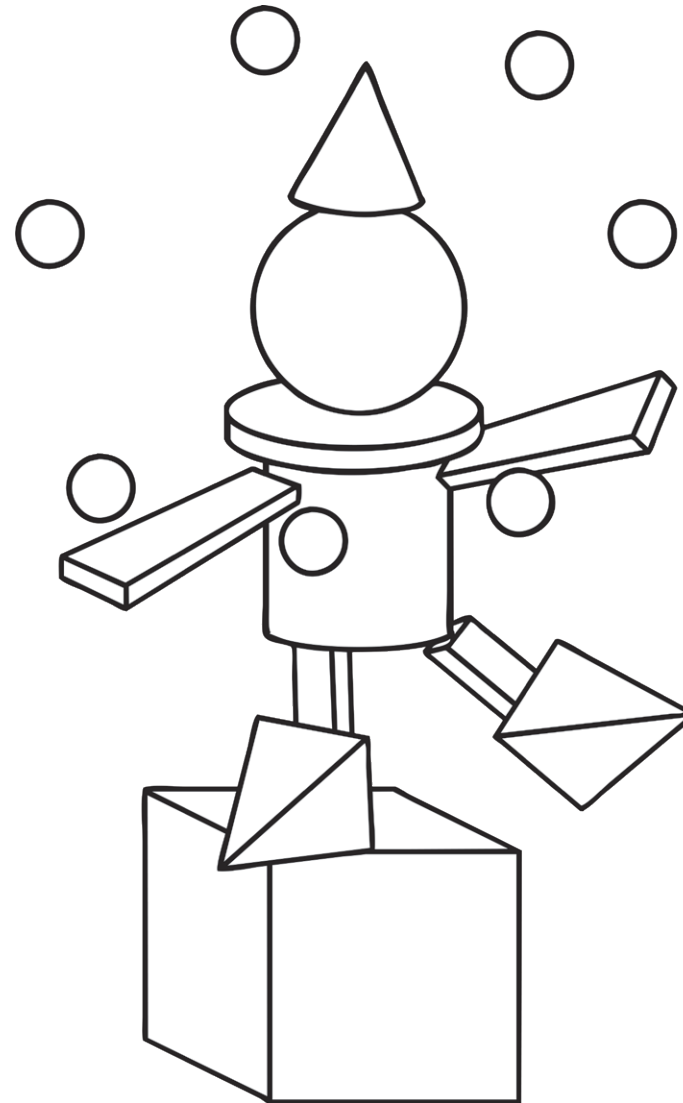
Key		
Clues	Name	Colour
no vertices, one curved surface		yellow
8 vertices, 12 edges the same length, 6 faces		orange
5 faces in total (4 faces are triangles and 1 is a square)		green
one apex, one circular face		red
8 vertices, 12 edges, 6 faces (2 square, 4 rectangular)		purple
no edges, no vertices and one curved surface		blue



# 3D Shape Colouring

Use the key to colour in the 3D shapes correctly.

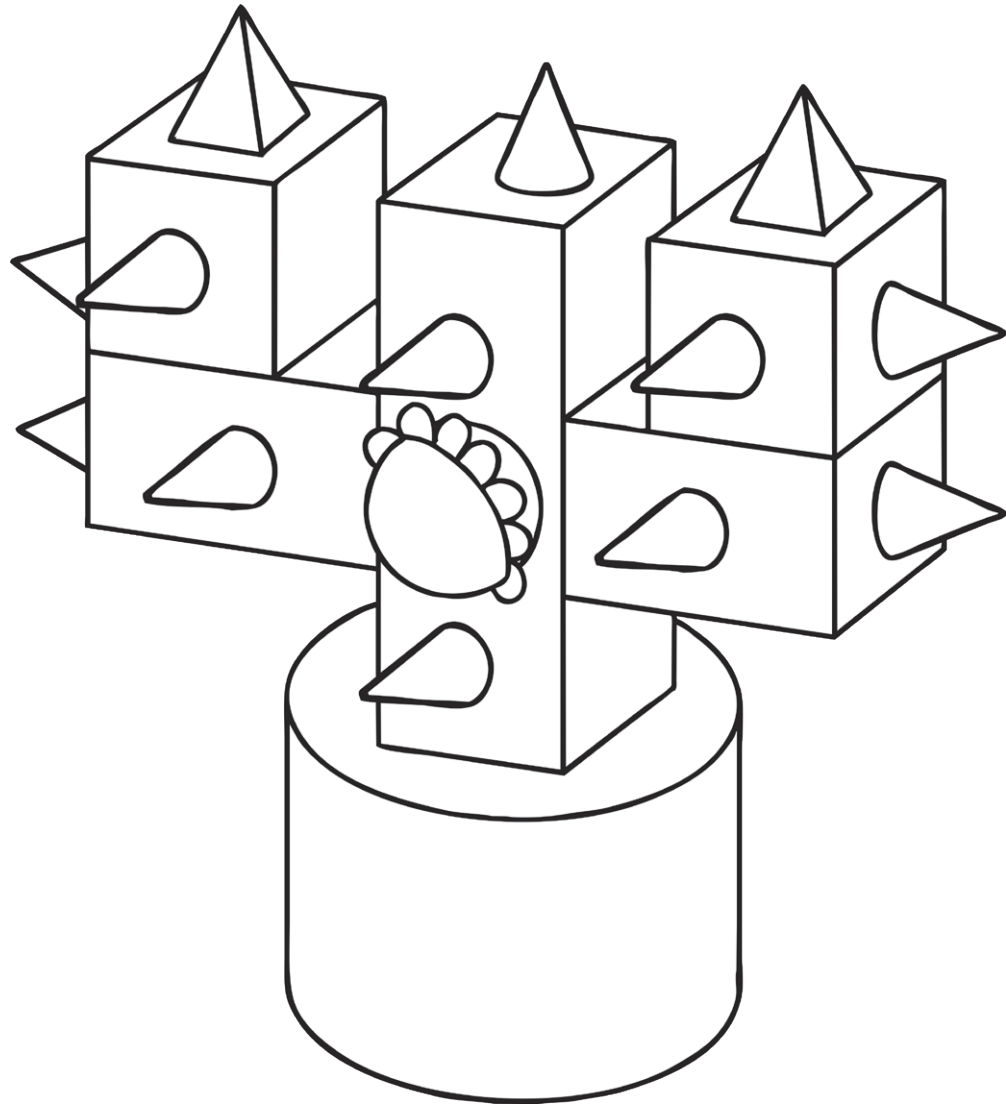
Key		
Clues	Name	Colour
no vertices, one curved surface		yellow
8 vertices, 12 edges the same length, 6 faces		orange
5 faces in total (4 faces are triangles and 1 is a square)		green
one apex, one circular face		red
8 vertices, 12 edges, 6 faces (2 square, 4 rectangular)		purple
no edges, no vertices and one curved surface		blue



# 3D Shape Colouring

Use the key to colour in the 3D shapes correctly.

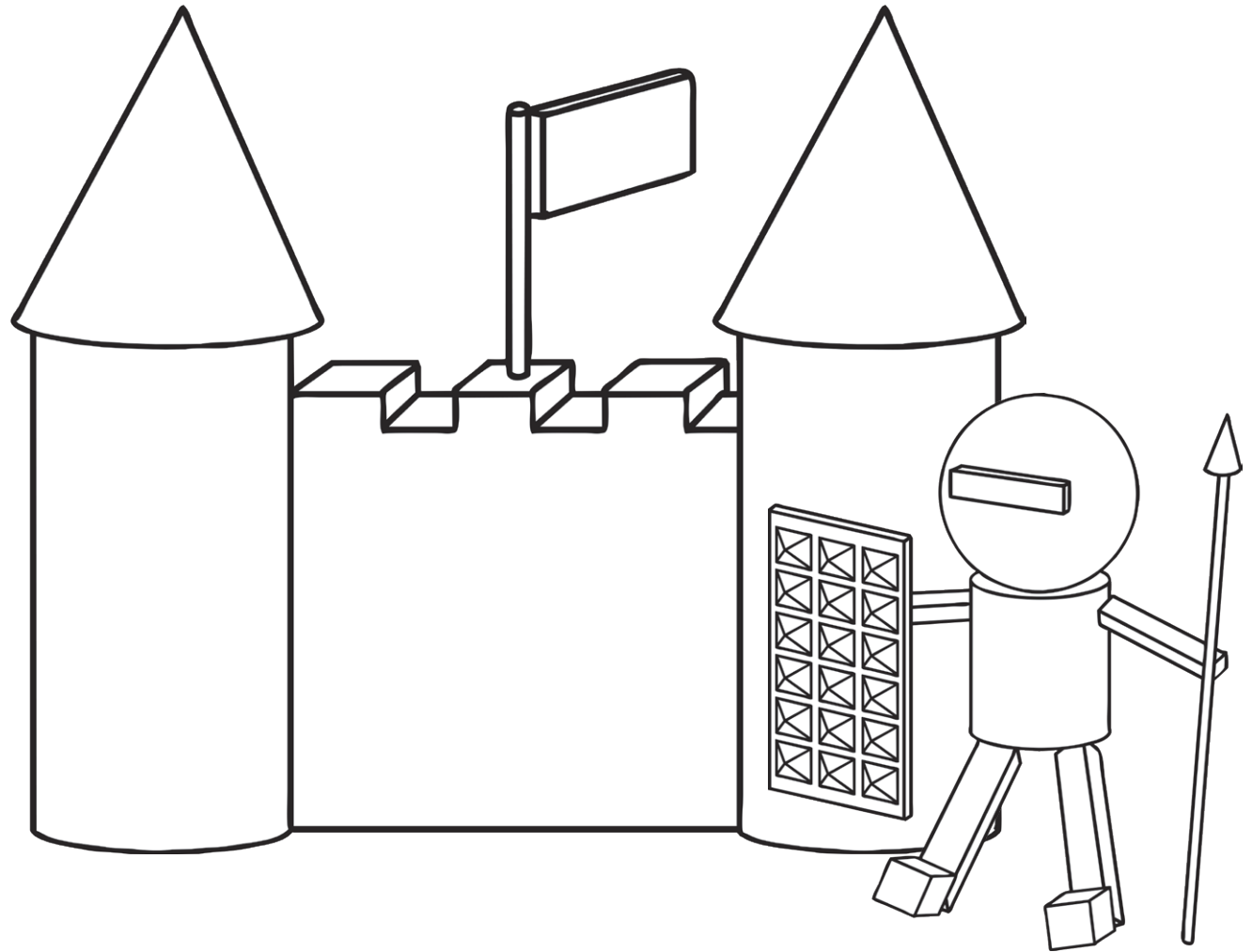
Key		
Clues	Name	Colour
no vertices, one curved surface		yellow
8 vertices, 12 edges the same length, 6 faces		orange
5 faces in total (4 faces are triangles and 1 is a square)		green
one apex, one circular face		red
8 vertices, 12 edges, 6 faces (2 square, 4 rectangular)		purple
no edges, no vertices and one curved surface		blue



# 3D Shape Colouring

Use the key to colour in the 3D shapes correctly.

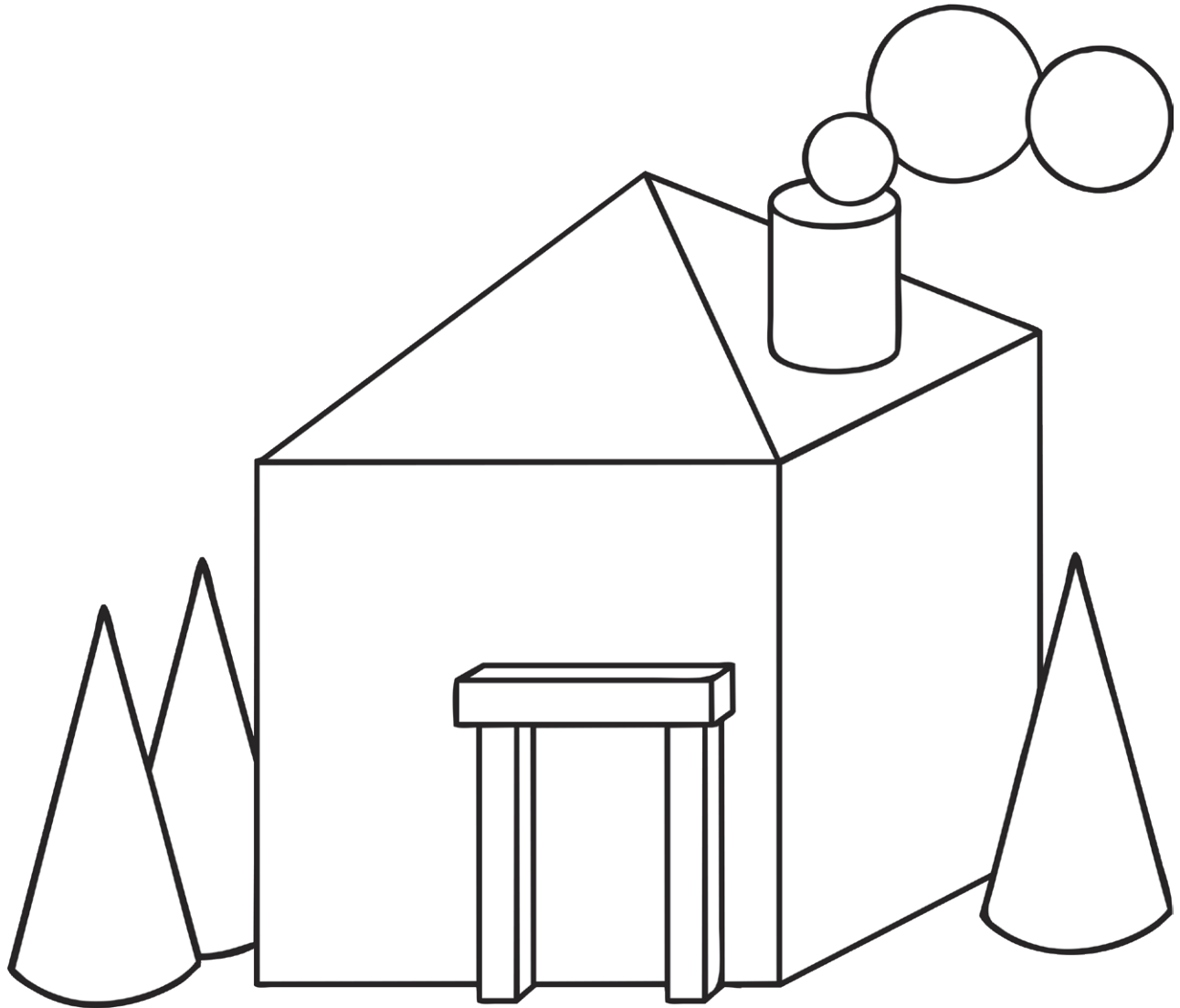
Key		
Clues	Name	Colour
no vertices, one curved surface		yellow
8 vertices, 12 edges the same length, 6 faces		orange
5 faces in total (4 faces are triangles and 1 is a square)		green
one apex, one circular face		red
8 vertices, 12 edges, 6 faces (2 square, 4 rectangular)		purple
no edges, no vertices and one curved surface		blue



# 3D Shape Colouring **Answers**

Use the key to colour in the 3D shapes correctly.

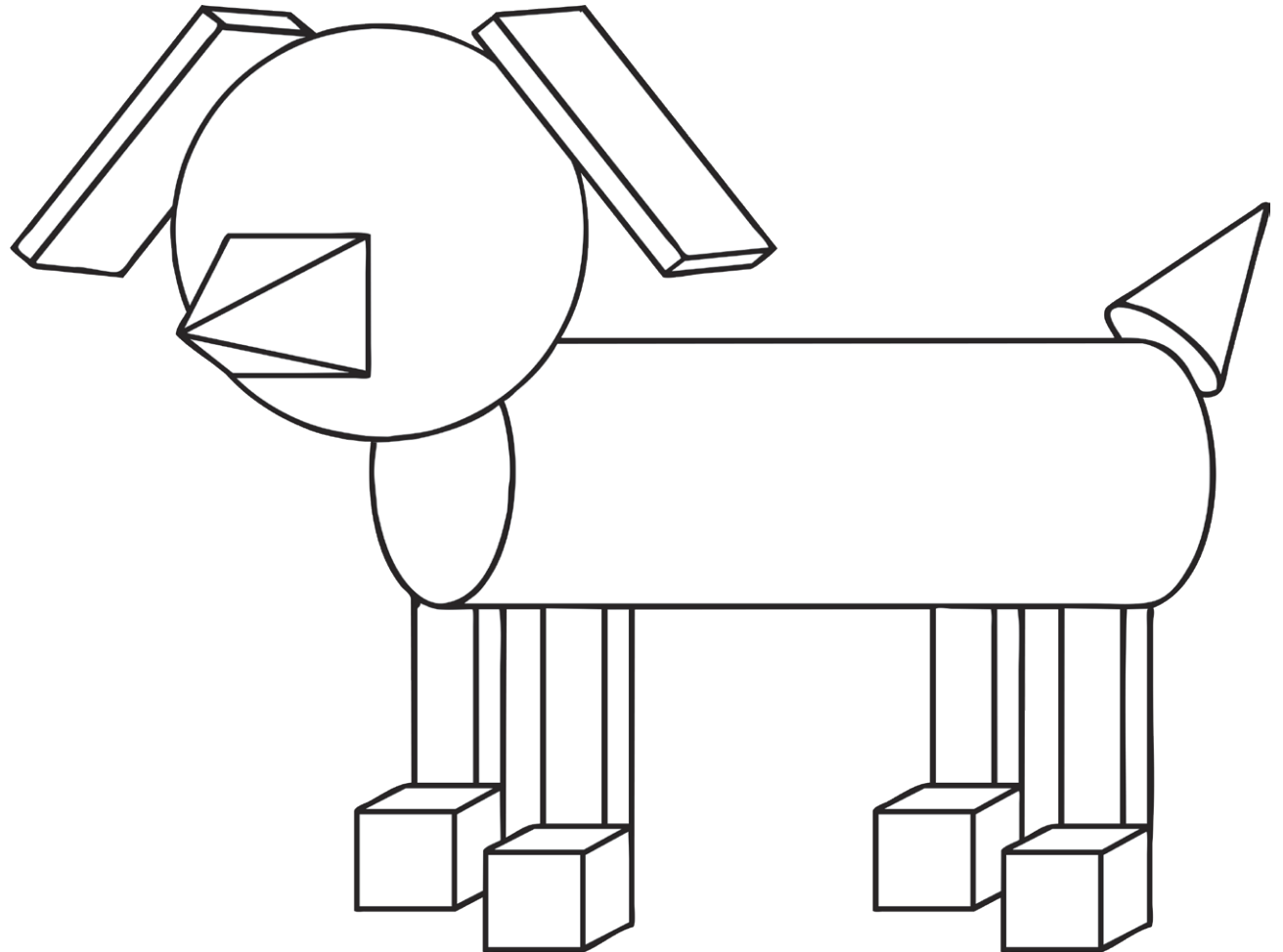
Key		
Clues	Name	Colour
no vertices, one curved surface	<b>cylinder</b>	yellow
8 vertices, 12 edges the same length, 6 faces	<b>cube</b>	orange
5 faces in total (4 faces are triangles and 1 is a square)	<b>square-based pyramid</b>	green
one apex, one circular face	<b>cone</b>	red
8 vertices, 12 edges, 6 faces (2 square, 4 rectangular)	<b>cuboid</b>	purple
no edges, no vertices and one curved surface	<b>sphere</b>	blue



# 3D Shape Colouring **Answers**

Use the key to colour in the 3D shapes correctly.

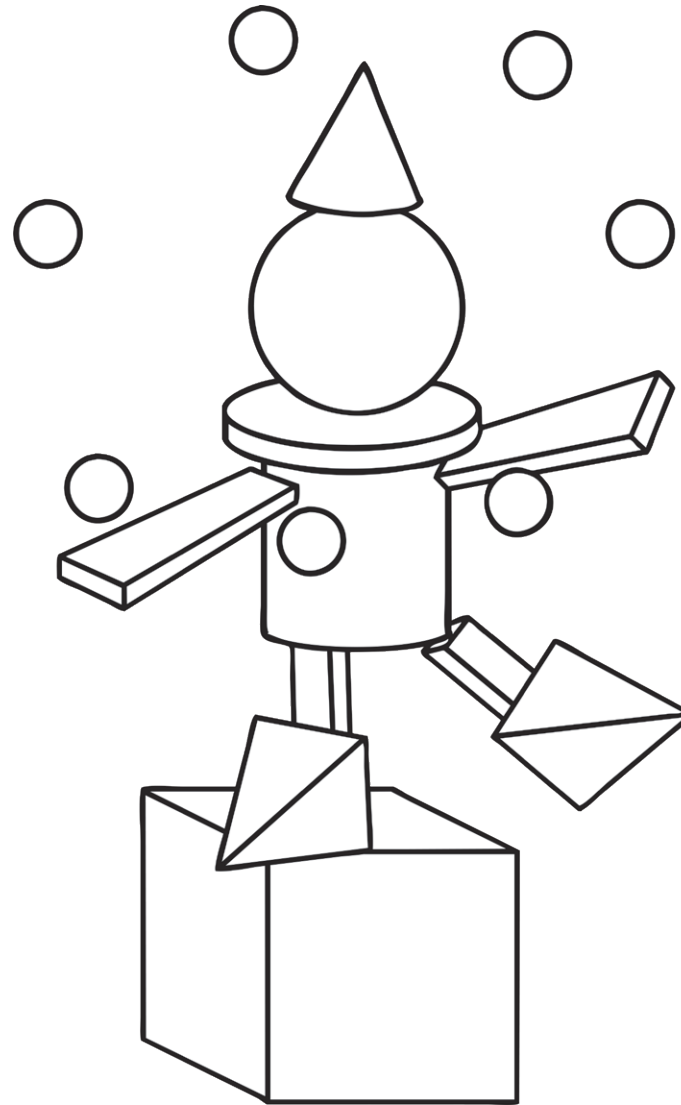
Key		
Clues	Name	Colour
no vertices, one curved surface	<b>cylinder</b>	yellow
8 vertices, 12 edges the same length, 6 faces	<b>cube</b>	orange
5 faces in total (4 faces are triangles and 1 is a square)	<b>square-based pyramid</b>	green
one apex, one circular face	<b>cone</b>	red
8 vertices, 12 edges, 6 faces (2 square, 4 rectangular)	<b>cuboid</b>	purple
no edges, no vertices and one curved surface	<b>sphere</b>	blue



# 3D Shape Colouring **Answers**

Use the key to colour in the 3D shapes correctly.

Key		
Clues	Name	Colour
no vertices, one curved surface	<b>cylinder</b>	yellow
8 vertices, 12 edges the same length, 6 faces	<b>cube</b>	orange
5 faces in total (4 faces are triangles and 1 is a square)	<b>square-based pyramid</b>	green
one apex, one circular face	<b>cone</b>	red
8 vertices, 12 edges, 6 faces (2 square, 4 rectangular)	<b>cuboid</b>	purple
no edges, no vertices and one curved surface	<b>sphere</b>	blue

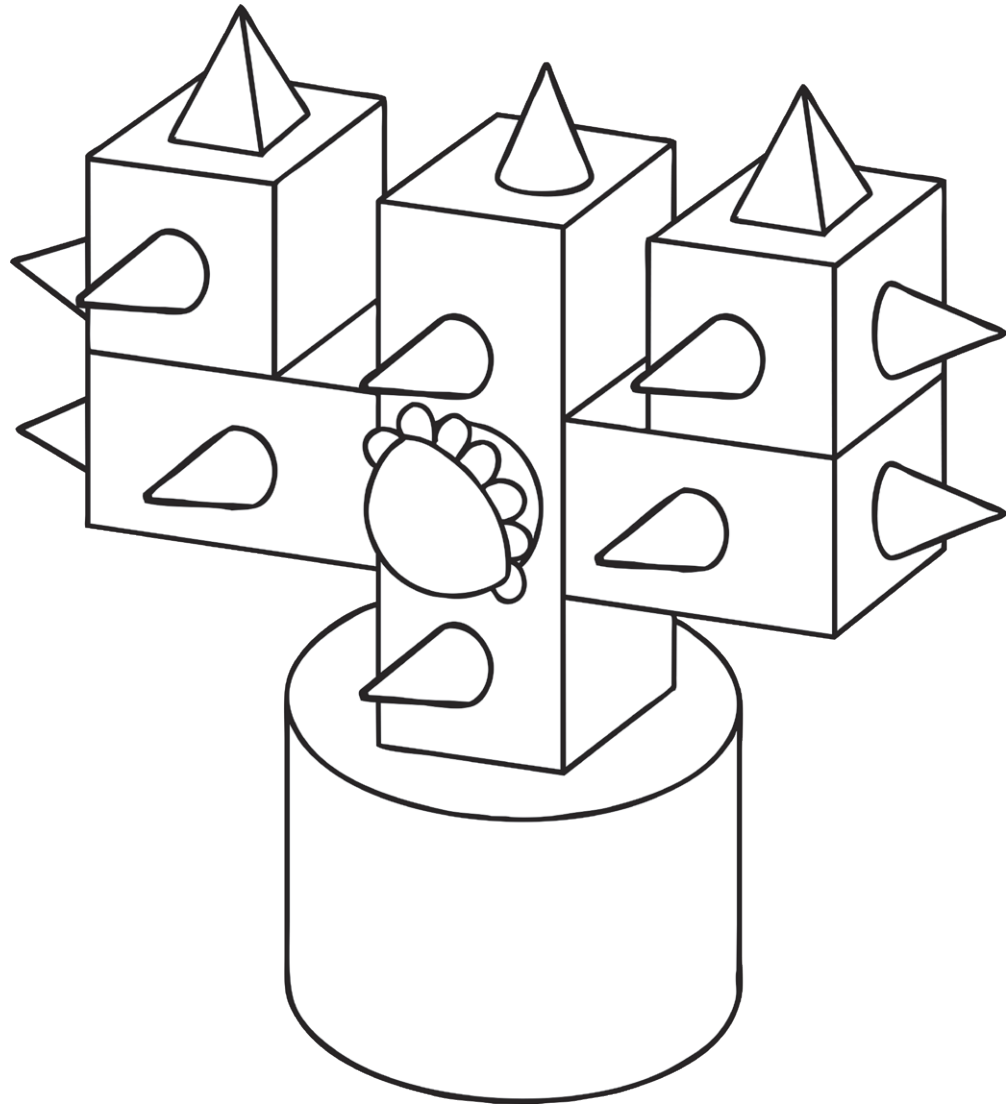




# 3D Shape Colouring **Answers**

Use the key to colour in the 3D shapes correctly.

Key		
Clues	Name	Colour
no vertices, one curved surface	<b>cylinder</b>	yellow
8 vertices, 12 edges the same length, 6 faces	<b>cube</b>	orange
5 faces in total (4 faces are triangles and 1 is a square)	<b>square-based pyramid</b>	green
one apex, one circular face	<b>cone</b>	red
8 vertices, 12 edges, 6 faces (2 square, 4 rectangular)	<b>cuboid</b>	purple
no edges, no vertices and one curved surface	<b>sphere</b>	blue



# 3D Shape Colouring **Answers**

Use the key to colour in the 3D shapes correctly.

Key		
Clues	Name	Colour
no vertices, one curved surface	<b>cylinder</b>	yellow
8 vertices, 12 edges the same length, 6 faces	<b>cube</b>	orange
5 faces in total (4 faces are triangles and 1 is a square)	<b>square-based pyramid</b>	green
one apex, one circular face	<b>cone</b>	red
8 vertices, 12 edges, 6 faces (2 square, 4 rectangular)	<b>cuboid</b>	purple
no edges, no vertices and one curved surface	<b>sphere</b>	blue

