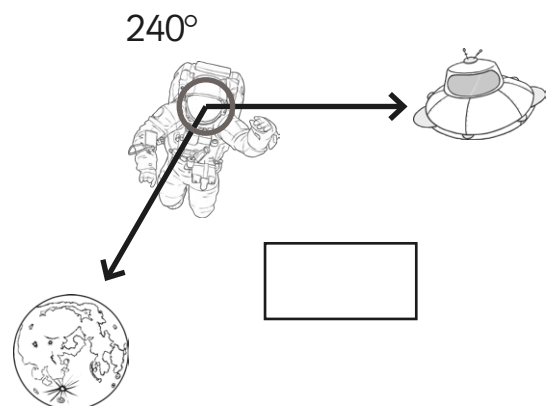
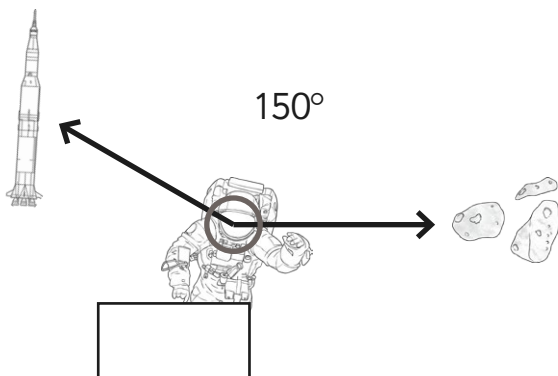
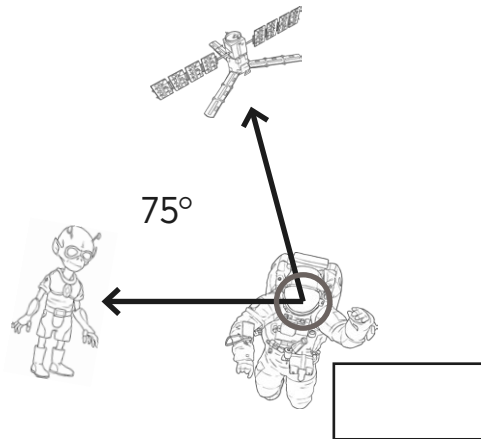
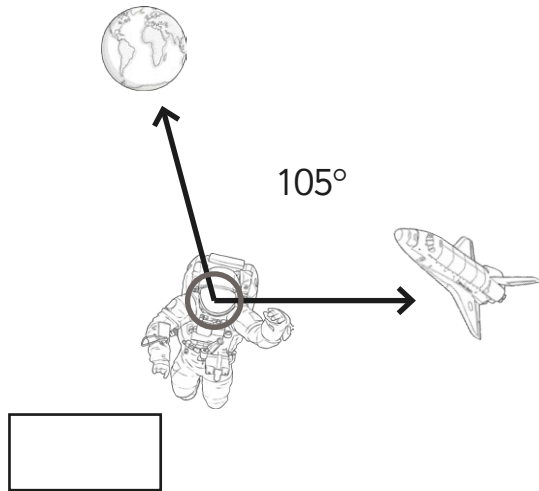




Space Angles

I can find angles at a point and one whole turn.

Calculate the missing angles.

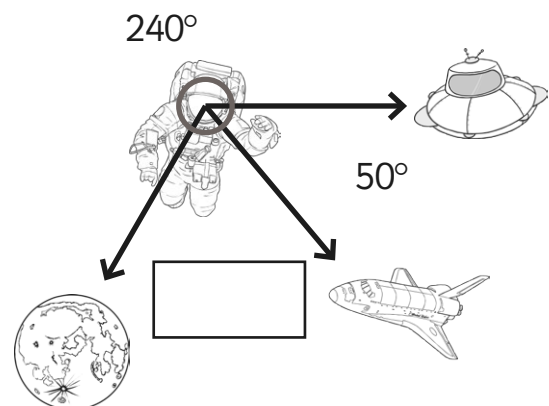
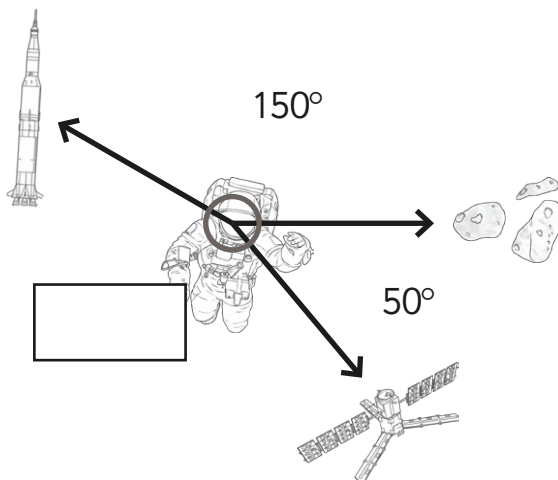
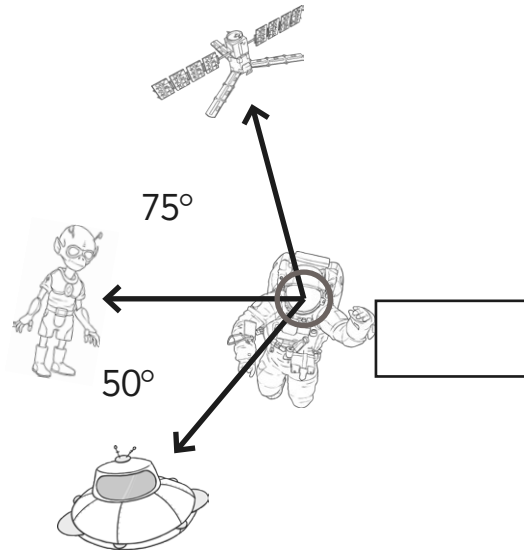
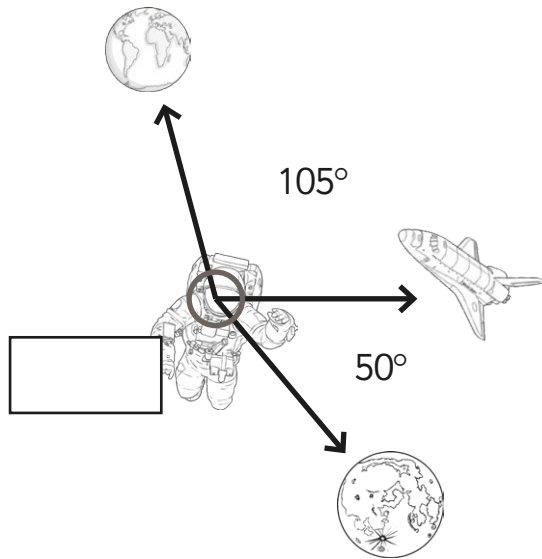




Space Angles

I can find angles at a point and one whole turn.

Calculate the missing angles.

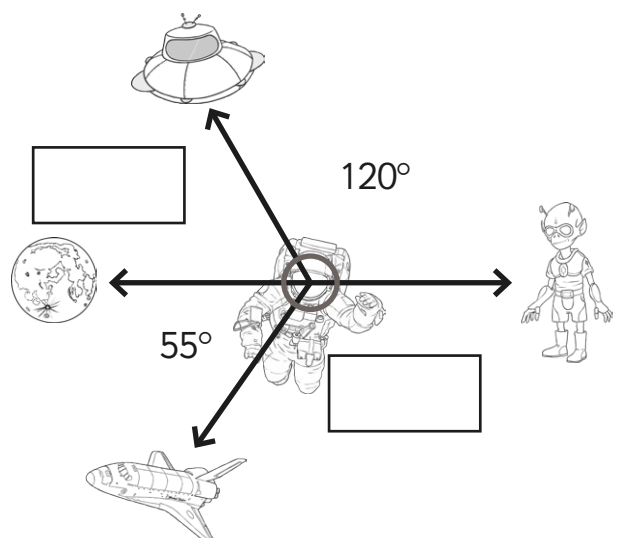
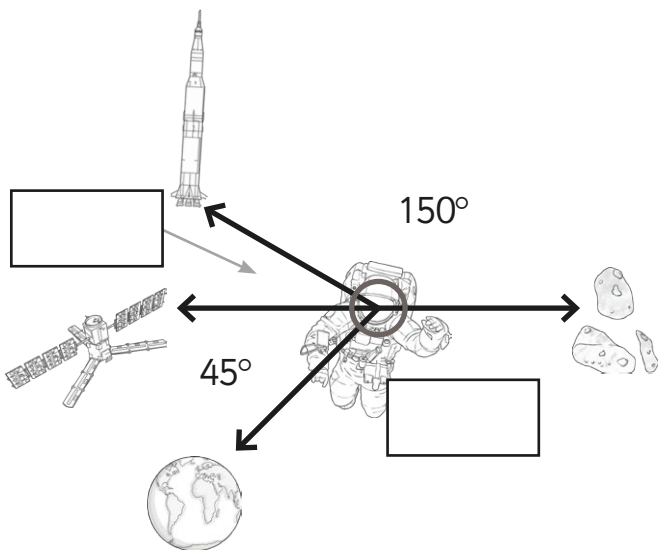
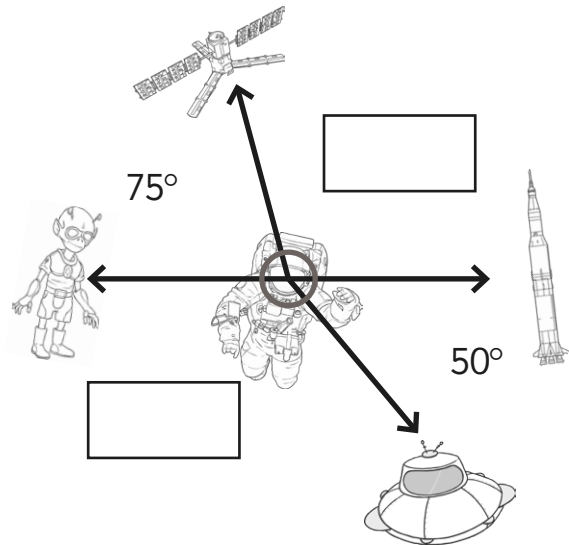
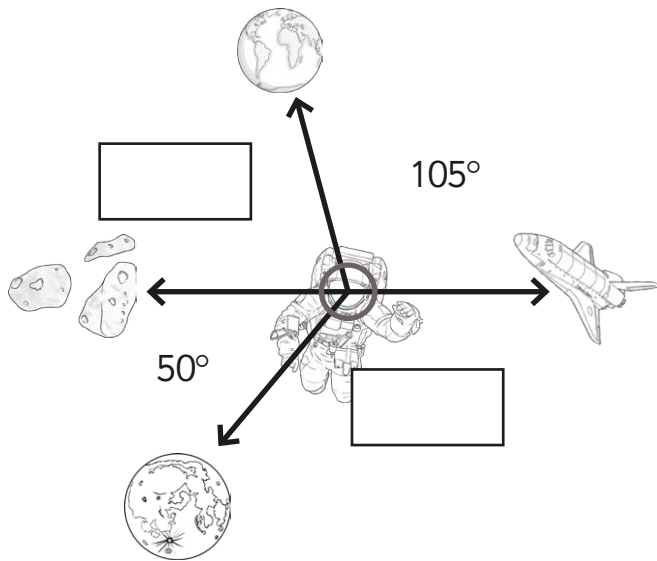




Space Angles

I can find angles at a point and one whole turn.

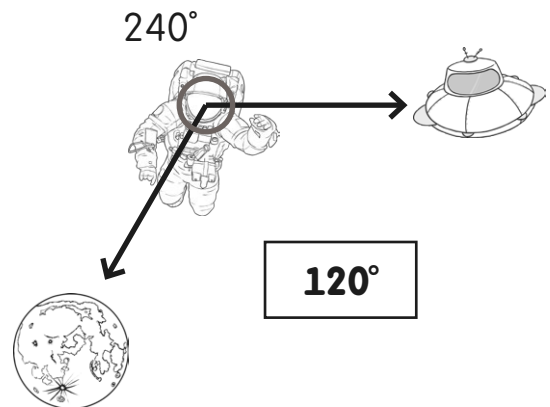
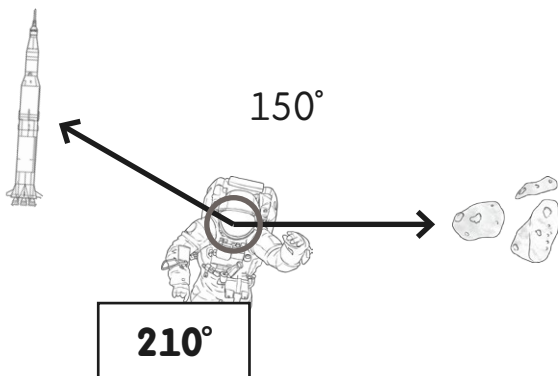
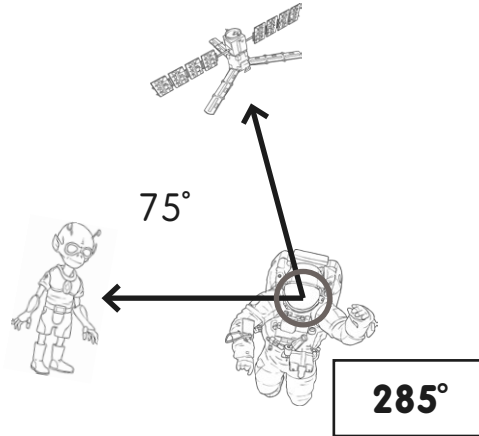
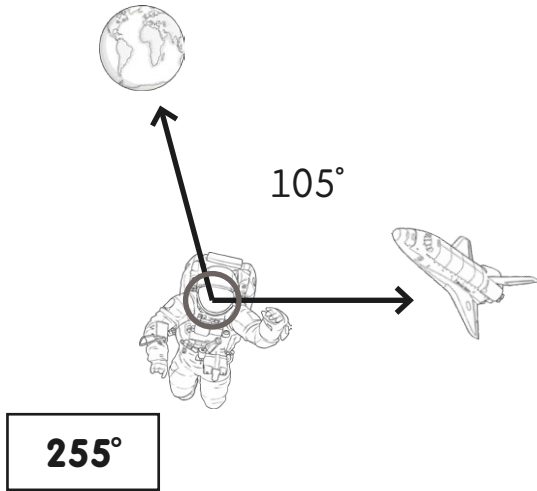
Calculate the missing angles.





Space Angles Answers

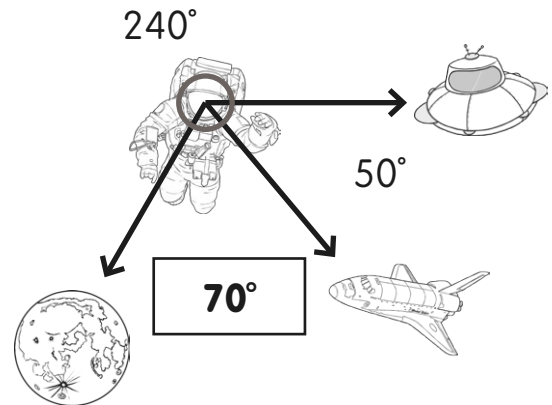
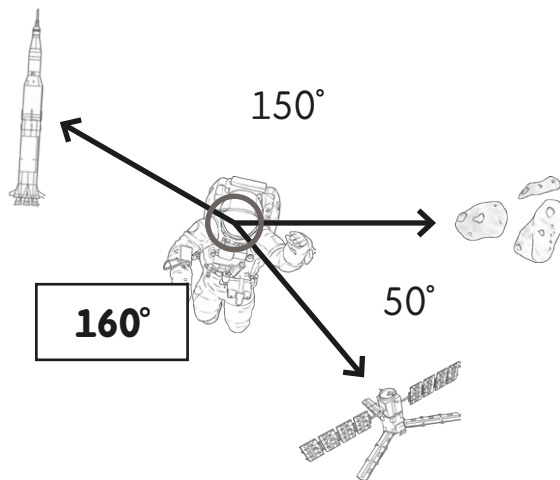
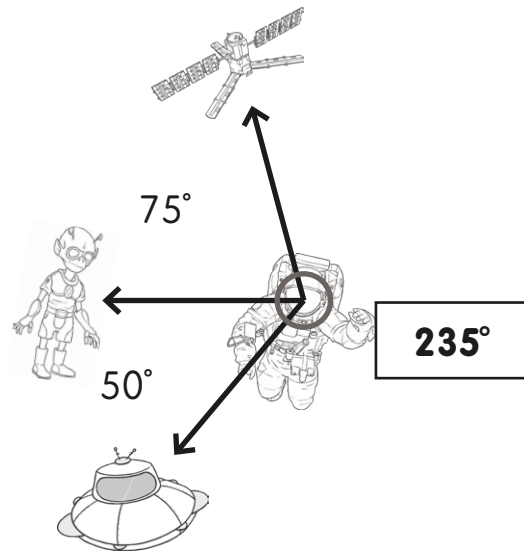
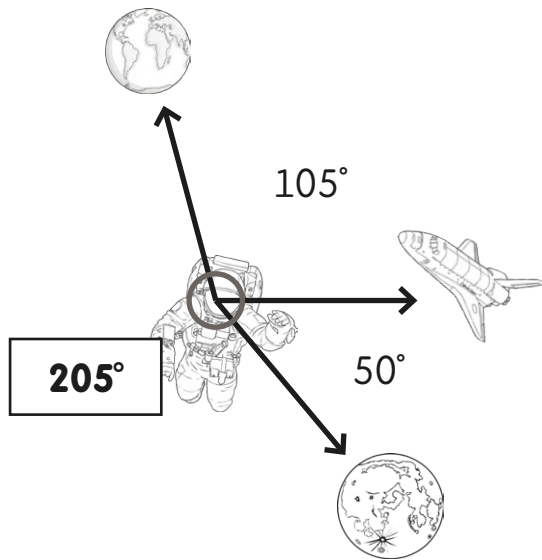
Calculate the missing angles.





Space Angles Answers

Calculate the missing angles.





Space Angles Answers

Calculate the missing angles.

